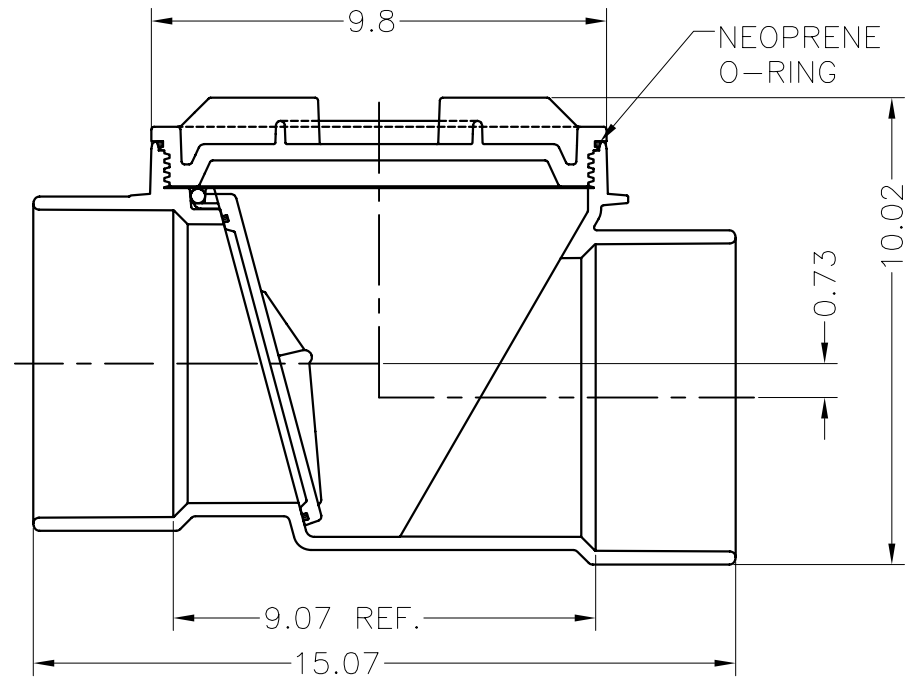


TRUE VIEW OF FLAPPER



DWV BACK WATER VALVE

6X6

PLASTIC TRENDS^{.COM}

56400 Mound Road, Shelby Township, MI 48316
 Phone (586) 781-2700 Fax (586) 781-0888

PRINTED COPIES ARE FOR REFERENCE ONLY

DATE 3/13/2006 BY KJS

D0106.D04